

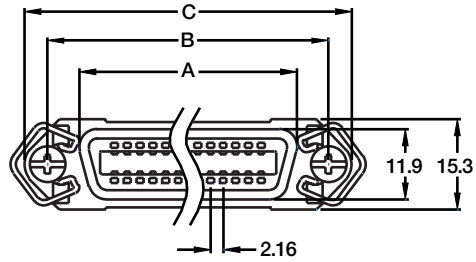
CENTRONIC CONNECTORS



Straight, Solder Cups, Shielded

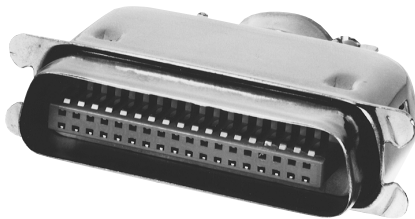
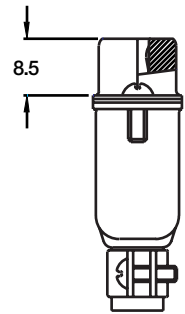
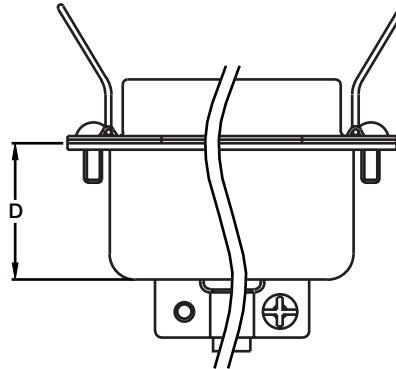


FEMALE

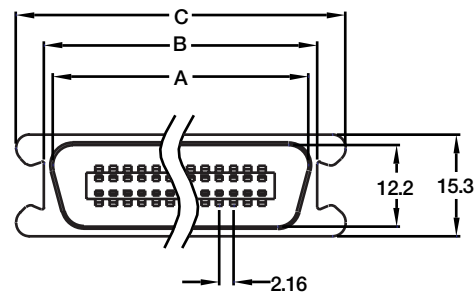


CNTxxHCM
xx=position

POSITION	A	B	C	D
14	25.20	36.00	43.90	21.70
24	36.00	46.80	54.70	21.20
36	48.90	59.70	67.70	23.00
50	64.10	74.90	82.80	25.00

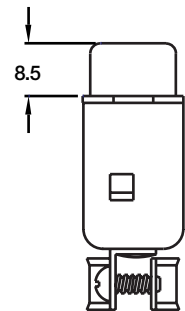
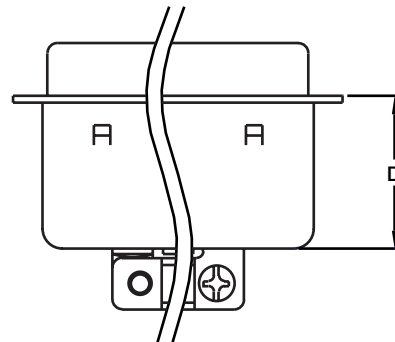


MALE



CNTxxMCM
xx=position

POSITION	A	B	C	D
14	26.70	29.70	38.00	21.10
24	38.20	40.50	48.80	21.10
36	50.80	53.50	61.70	22.60
50	64.40	68.70	77.00	24.60



SPECIFICATIONS

MATERIAL AND FINISH:

Shell:

Material: Steel
Plating: Tin

Contacts:

Material: Phosphor Bronze
Thickness: Gold Flash over Nickel

Insulator: PBT and Glass-fiber reinforced
UL 94V-0

ELECTRICAL SPECIFICATIONS

Rated Current: 1A
Insulator Resistance: 1000 Megaohm min. @ 500 VDC
Dielectric Withstanding Strength: 1000 VAC for 1 minute
Temperature: -55°C to 105°C

Ideal Technology has a policy of continuous improvement. Specifications are subject to change without notice. Dimensions in mm.